

PR2000

PR2000

PR Power Mobile Lighting Tower

7m 2x1000w

The PR Power range of mobile lighting towers are designed and manufactured with a high level of precision and quality.

The PR2000 produces maximum visibility and performance for continuous night work in a wide range of applications including events, rental, construction and civil works.

The PR2000 is designed to be linked/connected in a series (up to 4x PR2000 units) for maximum light output, reduced space requirements and improved mobility. This unique configuration

makes the PR2000 ideal for noise sensitive areas and also eliminates environmentally hazardous engine exhaust fumes.

The light weight and compact design of the PR2000, enables it to be moved into position with minimal effort.

In addition to the PR2000, Project Rentals also provides a range of lighting tower configurations for sale or hire for applications, such as mining and civil works.

KEY FEATURES & BENEFITS

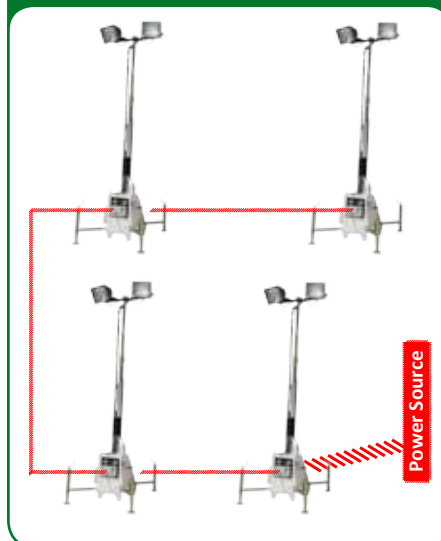
Potential to link a series of up to 4x PR2000 towers with only one power system illuminating an area of over 8000m².

- Designed to be linked/connected in a series for maximum light output
- 2100m² illuminated area for maximum visibility
- Ability to be powered from mains power or generating set
- Handles and wheels for easy manoeuvrability and light adjustment
- Compact and space minimising
- Weather proof enclosure
- Lockable control panel for added security
- Forklift pockets and central lifting point for easy transport
- Individual light control and circuit breakers for added safety
- Certified wind stability to 80km/h

TECHNICAL DATA

PR Power Mobile Lighting Tower	
PR2000 Features	
Light output	2x 1000w
Type of light	Metal Halide
Max. mast height	7m
Mast lifting system	Electric Driven
Colour	White
Stabilisers	4
Tyres	2x Pneumatic tyres
Dimensions - Mast fully retracted (mm)	1200 x 800 x 2330
Weight	244kg

Up to 4 Towers Linked To 1 Power Source



PR POWER 7m 2x1000w Mobile Lighting Tower



Powerful Metal Halide Lights



4x Stabiliser legs & 2x Pneumatic tyres



Contact Project Rentals today for your mobile lighting requirements

t. 1300 399 499

e. sales@projectrentals.com | w. www.projectrentals.com